

Findings. Multivariate calculations of stress-strain state around the gas-gen for different values of the coal seam thickness, depth of mining and composition of blowing mixture were realized. The results were summarized for different geological conditions as dependencies of movements, destruction zones and displacement of the gas-gen contour.

Originality. The bilayer artificially created shell thickness dependency on pressure and temperature of blowing mixture and rock-mass deformations near gas generator was determined. The formulas obtained for determining these basic geomechanical characteristics are necessary in the se-

lection of the method of rock stresses control and provision of a necessary space for the gas mixture passage.

Practical value. The mathematical mechanism for setting heats in the rock mass was proposed. The dependencies to determine the main geomechanical characteristics that can be used for engineering method of artificially created bilayer shell thickness determination for effective rock-mass control.

Keywords: *georeactor, blowing mixture, two-layer artificially created shell, stress-strain state control*

*Рекомендовано до публікації докт. техн. наук
В.І. Бузилом. Дата надходження рукопису 04.09.14.*

UDC 622.281 (574.32)

**V. Demin, Dr. Sci. (Tech.), Professor,
N. Nemova, Cand. Sci. (Tech.),
T. Demina, Cand. Sci. (Tech.),
Yu. Stefluk**

Karaganda State Technical University, Karaganda, Kazakhstan,
e-mail: vladfdemin@mail.ru; nemova-nataly@mail.ru;
tdemina@mail.ru; stefluk@gmail.ru

TECHNOLOGY OF ROCK MASSIF STATE CONTROL

**В.Ф. Дьомін, д-р техн. наук, проф.,
Н.А. Немова, канд. техн. наук,
Т.В. Дьоміна, канд. техн. наук,
Ю.Ю. Стефлюк**

Карагандинський державний технічний університет, м. Караганда, Казахстан, e-mail: vladfdemin@mail.ru;
nemova-nataly@mail.ru; tdemina@mail.ru; stefluk@gmail.ru

ТЕХНОЛОГІЯ УПРАВЛІННЯ СТАНОМ МАСИВУ ГІРСЬКИХ ПОРІД

Purpose. The development of progressive technological schemes of roof bolting for mine tunnels for ensuring safe and effective support in the zones with increased stresses in the border rocks, unstable and broken enclosing rocks.

Methodology. The study of stressed-and-strained state, rock-pressure manifestations, conditions of the workings maintenance depending on mining-and-geological, mining and technological parameters that is aimed to establish the extent of their impact on the efficiency of the mine tunnels roof bolting and justification of support patterns ensuring stability and decreasing imperfection and costs spent on its mounting and maintenance.

Findings. We have developed technical and technological solutions aimed to improve the technology and means of roof bolting: carrying out in-seam workings on an outburst-prone seam; supporting development openings in unstable rocks; supporting preparatory workings in the zones with various mining pressure; constructing workings in the joint development of coal layers.

Originality. We have established consistent patterns of change in the zones of inelastic deformations with their development in time and dependence of contours stability on mining-and-geological and mining factors; determined the support parameters ensuring reliable operation of the working. Based on the analytical modeling we have developed technology, systems and means aimed to decrease the imperfection of contours of workings.

Practical value. The rational parameters and the field of application of roof bolting in the conditions of the Karaganda coal basin have been determined and justified. The rational technology of drifting workings has been developed based on controlling the geomechanical condition of the enclosing rock massif. Its optimum parameters depending on mining conditions have been determined. Progressive technological solutions on the ways and means of roof bolting of mining workings for complicated operation conditions have been found. The progressive technology of the development opening in coal-and-rock massif with complicated mining technological operation conditions has been developed. The parameters of roof bolting in the conditions of development of in-seam mineral deposits in the presence of the complicating factors have been justified. Technological developments passed the industrial testing at the Saranskaya, Kuzembayev, Kostenko, Kazakhstanskaya mines of the UD JSC ArcelorMittal Temirtau. The operating capacity of the means and techniques of the roof bolting has been proved. The main conclusions and recommendations provided by the research were used in practice in the design process of the coal-mines development and in the educational process.

Keywords: *technology underground mining, coal-and-rock massif, contour of a mine tunnel, parameters of support setting, imperfection of workings, geomechanical processes control, system, means and ways of support, stressed-and-strained state*

Formulation of the problem. In the issue of the mining efficiency increase, solution of the problem of im-

provement of the technology of reliable support of workings is of great importance. The costs spent on carrying out mining workings are rather considerable and make 15–20% of the total cost of mining operations.

Stable support of development workings also requires considerable costs for repair both before and after the breakage faces commissioning [1], which reach 15–20% of the mine workings construction cost [2]. In the Karaganda coal basin the depths of development reach 600–850 m where it is impossible to manage repair-free support of workings with modern supports.

Now, in the deep-seated seam workings in the Karaganda basin the frequency rate of workings re-timbering reaches 2, 3 and even 4. In general, the costs for supporting increase with the growth of the depth. They make in the total costs at small depths 4–5% and at large depths, up to 15%. Therefore the problem of protection and support of mine workings at large depth [3], like in the case of the Karaganda basin, becomes topical in the technology of coal mining.

Definition of the main problem. One of the rational ways of improving the condition of workings and saving material resources is using roof bolting. The volume of introducing roof bolting in mining workings of the Karaganda coal basin makes 12% in the pure form now and 42% in the mixed (combined) support. An important stage for establishing the parameters of the support is the assessment of schemes of the rock collapse and the parameters of the roof bolting mounting. The form and the dimensions of the zone of possible rock collapse round a working depend on the structure of the roof, sides and soil rocks.

Analysis of the study results. Schemes of the rock collapse and the scheme of roof bolting mounting do not

always consider mining-and-geological conditions of the development and the strengthening impact of roof bolting on the massif [4].

At this, the condition of exposures and loss of the rock stability can be: stable (when carrying out field workings); with formation of the arch of natural balance (in stable rocks), the arch in plastic stable rocks (middle-stable rocks, out of the zone of mining operations impact) or zones of rock destruction in the roof and sides (it is possible also for soil) of the working (in the zone of mining operations impact, basic pressure, the broken sites) [5].

Basic material. The fig. 1 shows a scheme of forming a jointing of the massif near the drifted working in horizontal and inclined layers. The quality of roof bolting in many respects depends on the reasonable arrangement of anchors in a working taking into account the layer bedding and selection of the roof bolting parameters (diameter, length, the ratio of the diameter of the shot and diameter of fittings and polymeric ampoules of anchors and speed of hardening the fixing structure located in them) that provides the efficiency of the roof bolting technology and chemical hardening of the massif.

In the drifted working there is formed a natural collapse arch and there appears the stress in the massif adjoining the working contour sides. The hanging part of the massif is more inclined and unstable than the zone located on the opposite side.

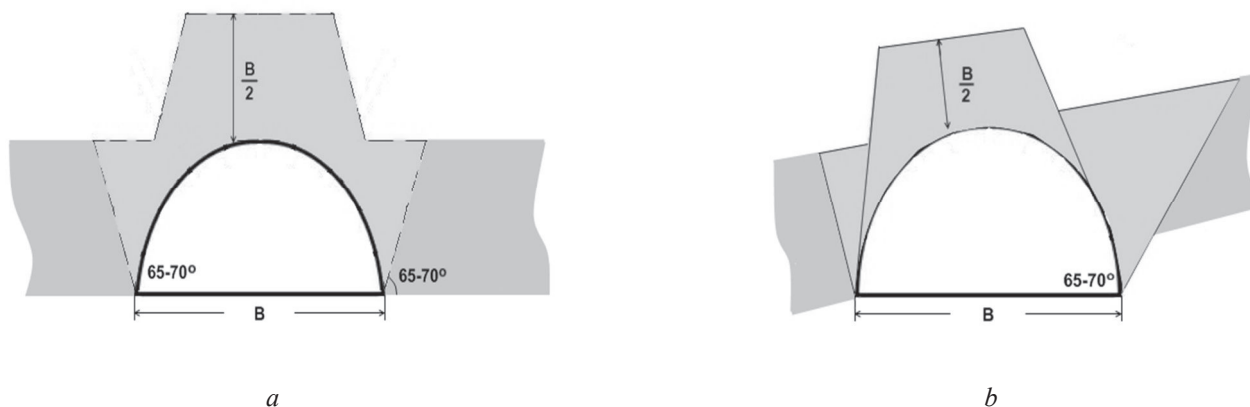


Fig. 1. Schemes of the massif rock jointing formation near the drifted working: a – layer horizontal bedding; b – layer inclined bedding; B – working width

When forming the massif jointing with various in forms and sizes of sites round the contour of the drifted working, it is necessary to provide the multicircuit supporting of the massif with locating longer metal (on rocks) and fiberglass (on layers) anchors from the hanging part of the coal layer. To ensure stability of the working when it appears in the zone of the stoping, it is necessary to establish the second level anchors ahead of the zone of the basic (increased) mining pressure. It is required to fix them in the areas that are not subject to stratification of the massif (out of the zone contour with the developed jointing) with formation of the second-level support of the massif in which the shifts of rocks may be prevented. It will permit to increase the quality of support of the interfaces of lavas and adjoining developments, ensure safety of work, unload

the interface and increase stability of the working in its supporting and reuse (the arch of the natural collapse behind the line of the breakage face will be formed at more remote distance from the working contour). See fig. 2.

When constructing a steel-polymer support near the established anchor, at the expense of the binding composition of polymeric ampoules, there is formed the massif in which the jointing is not manifested, i.e. it is rather stable and forms a beam bridge of the supported rocks.

The above theoretical and practical recommendations allow suggesting progressive technological schemes of workings roof bolting for ensuring supporting works in the zone with the increased stresses in the contour rocks, especially in the conditions of drifting workings in outburst-prone layers.

The developed technical and technological solutions are aimed to improve the roof bolting technology and means: the way of fastening of development workings in the zone of the increased mining pressure and the method of formation of an in-seam working that is prone to sudden outbursts of coal and gas, etc.

Method of drifting in-seam working in outburst-prone layers. In a working that is drifted in an outburst-prone layer, there the anti-outburst events by means of drilling a complex of the vent advancing wells investigating the massif drilling on the front and adjoining the bor-

der areas with defining the outburst-prone zones within the limits of the distribution of the adjoining side rocks of the roof and the soil.

After establishing the outburst-prone forecast, the zones with high indicator of outburst danger and their assessment by the system of criteria signs of packs with pure coal, raised gas permeability, smaller ash-content and hardness and increased stressed-and-strained state (for example, when changing by 90° the working contour, the zones of an adjunction of side packs to the soil of layer) there is performed breaking the layer-similar packs.

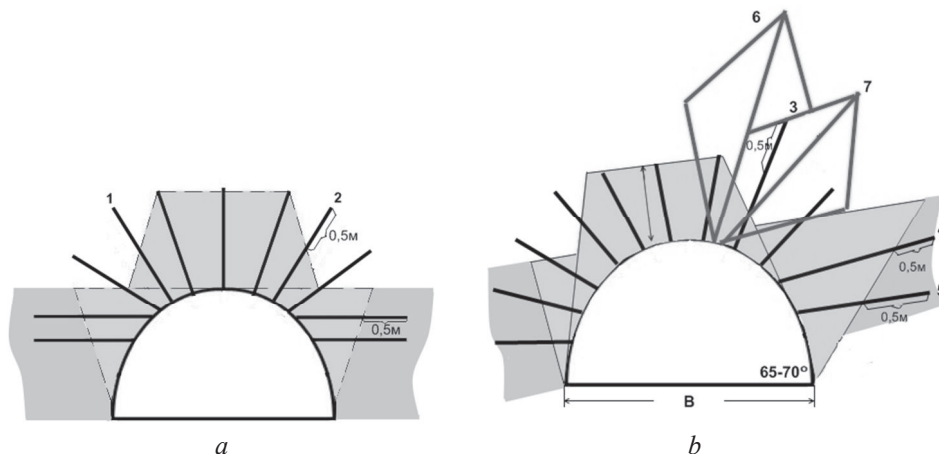


Fig. 2. The second level anchors placing in horizontal (a) and inclined (b) bedding of the coal seam: B – working width; 1, 2 and 3 – roof anchors mounted out of the contour of the natural balance arch; 4, 5 – side anchors; 6, 7 – rope anchors of deep placing

Method of supporting development workings in unstable rocks. The use of this method will permit to support beforehand the rocks in the zone of the raised stresses and this will prevent deformations (decrease by 20–30%) in the course of drifting a working [6].

It is proposed to place the anchors at an angle to the bedding directed to the zone with high stresses, focused at an angle on the front of the drifted working, which is determined by the formula

$$\beta = \frac{\gamma_m + \gamma_n}{2}, \quad (1)$$

where γ_m and γ_n are the directions of the vertical and lateral stress vectors action respectively.

In fig. 3, a there is presented a scheme of support of a development working with the mining pressure distribution curve round the contour, and in fig. 3, b the plan view.

In the presented version of roof bolting, the unstable layered rocks of the immediate or false roof are suspended by anchors to the main roof. Various rock layers, being supported with anchors, form a compound beam protecting the roof from a collapse. Decreasing or total absence of the uneven stretching and squeezing stresses impact, which work in the roof corners, is reached due to mounting angular roofing rope anchors.

Pliable active support works as a safety valve of a powered support, i.e. at critical loadings the pliable element is partially rumpled that permits the support to perform its functions without destruction.

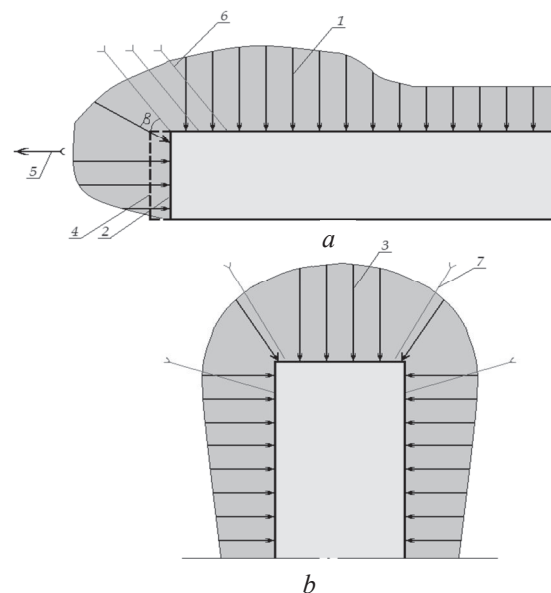


Fig. 3. Method of development workings support: 1 – vertical mining pressure curve power lines; 2 – the face of the drifted development working; 3 – lateral mining pressure curve power lines; 5 – direction of the working drifting; 6 – roof inclined anchors mounted out of the broken rocks contour; 7 – side inclined anchors mounted out of the broken rocks contour; a – longitudinal view of the mining working; b – plan view

Conclusions and development prospects. At large depths of the layers development in the Karaganda basin the frequency rate of workings retimbering reaches 2, 3 and even 4. In general, the costs for supporting increase with the growth of depth and make in the total costs at small depths 4–5%, and at large depths up to 15%.

Therefore, the problem of protection and supporting of the mining workings at large depths in the Karaganda basin becomes topical in the coal mining technology.

One of the rational ways of improving the condition of workings and saving the material resources is the use of roof bolting. The volume of the roof bolting introduction at mines of the Karaganda coal basin makes 12% in the pure form now and 42% in the mixed (combined) support.

The scheme of the rock collapse and the scheme of anchors mounting consider the working mining-and-geological conditions and the strengthening impact of roof bolting on the massif.

There are developed progressive ways of supporting workings with active control of the border rock massif.

References / Список літератури

1. Hudson, J.A. and Harrison, J.P. (1997), *Engineering Rock Mechanics*. Part 2, London.

2. Sidsmen, R. (2010), “Overview of anchoring in the mines of Karaganda”, *ArcelorMittal*, AS-R03, pp. 35.

Сидсмен Р. Обзор анкерного крепления на шахтах Караганды / Сидсмен Р. // Арселор-Миттал. АС-R03. 2010. – 35 с.

3. Kartoziya, B.A. and Borisov, V.N. (2001), *Inzhenernye zadachi mekhaniki podzemnykh sooruzheniy* [Engineering Problems of Mechanics of Underground Structures], Publishing House of the Moscow State Mining University, Moscow, Russia.

Картозия Б.А. Инженерные задачи механики подземных сооружений / Картозия Б.А., Борисов В.Н. – М.: Изд-во Московского государственного горного университета, 2001. – 326 с.

4. T. Sasaoka, K. Matsui & H. Shimada, Kyushu University, J.H. Furukawa & M. Uehara, Japan Coal Center, J.S. Kramadibrata, B. Sulistianto & R.K. Watinena, Institute of Technology, Bandung, (1997), “Roof Support Systems at a New Underground Mine Developed from Open-Cut High-wall in Indonesia”, pp. 119–240.

5. Tsai, B.N. and Sudarikov, A.Ye. (2007), *Mekhanika podzemnykh sooruzheniy* [Mechanics of Underground Structures], KSTU, Karaganda, Kazakhstan.

Цай Б.Н. Механика подземных сооружений / Цай Б.Н., Судариков А.Е. – Караганда: КарГТУ, 2007. – 159 с.

6. Demin, V.F., Baymuldin, M.M., Zhurov, V.V. and Demin, V.V. (2013), “The influence of the angle of installation of roof bolting on the deformation of the rock mass”, Proc. of the IX International Scientific-Practical Conf. “The Key Aspects of Scientific Activity”, Technical sciences, no. 16, pp. 68–72.

Влияние угла установки анкерной крепи на деформации массива горных пород: материалы IX Международной научно-практической конференции „Ключевые аспекты научной деятельности“. Технические науки /

В.Ф. Демин, М.М. Баймульдин, В.В. Журов [и др.] – Прцемирл-Прага (Чехия): Наука студия, 2013. – вып. 16. – С. 68–72.

Мета. Розробка прогресивних технологічних схем анкерного кріплення гірських виробок для забезпечення безпечного та ефективного проведення робіт із кріплення в зоні з підвищеними напруженнями у приконтурних породах, нестійкими та порушеними вміщувачами породами.

Методика. Дослідження напружено-деформованого стану, проявів гірського тиску, умов підтримки виробок у залежності від горничо-геологічних, гірничотехнічних і технологічних параметрів для встановлення ступеня їх впливу на ефективність анкерного кріплення виїмкових виробок і обґрунтування паспортів кріплення із забезпеченням стійкості, зниження дефектності й витрат на їх проведення та підтримку.

Результати. Розроблені технічні й технологічні рішення, направлені на вдосконалення технології та засобів анкерного кріплення виробок, способи: проведення пластової гірничої виробки по викидонебезпечному пласту; кріплення підготовчих гірничих виробок за нестійких порід; кріплення підготовчої гірничої виробки в зонах з різномінімним гірським тиском; проведення гірничих виробок за спільної розробки вугільних пластів, що знаходяться в зоні взаємного впливу; проведення гірничих виробок за сумісної розробки вугільних пластів, що знаходяться в зоні взаємного впливу.

Наукова новизна. Полягає в наступному: встановлені закономірності зміни зон непружних деформацій з розвитком їх у часі та стійкості контурів виробки у залежності від гірничо-геологічних і гірничотехнічних чинників з визначенням параметрів кріплення для надійної експлуатації виробки; створення на базі аналітичного моделювання технології, систем і засобів для проведення, що сприяють зниженню дефектності контурів виробки.

Практична значимість. Полягає в наступному: встановлення раціональних параметрів і обґрунтування сфери застосування анкерного кріплення для умов розробки вугільних пластів Карагандинського басейну; створення раціональної технології проведення гірських виробок на основі управління геомеханічним станом масиву вміщувачів порід, зі встановленням її оптимальних параметрів у залежності від гірничотехнічних умов розробки; розробка прогресивних технологічних рішень по способах і засобах анкерного кріплення виїмкових виробок для складних умов експлуатації; створення й впровадження прогресивної технології в підготовчих виробках у складних гірничо-технологічних умовах експлуатації; обґрунтування параметрів анкерного кріплення для умов розробки пластових родовищ корисних копалин за наявності ускладнюючих чинників. Технологічні розробки пройшли промислово перевірку на шахтах „Саранська“, „Ім. Кузембаєва“, „Ім. Костенко“, „Казахстанська“ УД АТ „Арселор-Міттал Теміртау“, при їх випробуванні підтверджена

працездатність способів і засобів кріплення. Основні висновки та рекомендації, отримані в роботі, використані у практиці проектування та розробки родовищ вуглевидобувної галузі, у навчальному процесі.

Ключові слова: *технологія ведення підземних робіт, вуглепородний масив, контури гірничих виробок, параметри кріплення, дефектності виробок, управління геомеханічними процесами, системи, засоби, способи кріплення, напружено-деформований стан*

Цель. Разработка прогрессивных технологических схем анкерного крепления горных выработок для обеспечения безопасного и эффективного производства работ по креплению в зоне с повышенными напряжениями в приконтурных породах, неустойчивыми и нарушенными вмещающими породами.

Методика. Исследование напряженно-деформированного состояния, проявлений горного давления, условий поддержания выработок в зависимости от горно-геологических, горнотехнических и технологических параметров для установления степени их влияния на эффективность анкерного крепления выемочных выработок и обоснования паспортов крепления с обеспечением устойчивости, снижения дефектности и затрат на их проведение и поддержание.

Результаты. Разработаны технические и технологические решения, направленные на совершенствование технологии и средств анкерного крепления выработок, способы: проведения пластовой горной выработки по выбросоопасному пласту; крепления подготовительных горных выработок при неустойчивых породах; крепления подготовительной горной выработки в зонах с разнопеременным горным давлением; проведения горных выработок при совместной разработке угольных пластов, находящихся в зоне взаимного влияния; проведения горных выработок при совместной разработке угольных пластов, находящихся в зоне взаимного влияния.

Научная новизна. Заключается в следующем: установлены закономерности изменения зон неупругих деформаций с развитием их во времени и устойчивости контуров выработки в зависимости от

горно-геологических и горнотехнических факторов с определением параметров крепи для надежной эксплуатации выработки; создание на базе аналитического моделирования технологии, систем и средств для проведения, способствующих снижению дефектности контуров выработки.

Практическая значимость. Заключается в следующем: установление рациональных параметров и обоснование области применения анкерного крепления для условий разработки угольных пластов Карагандинского бассейна; создание рациональной технологии проведения горных выработок на основе управления геомеханическим состоянием массива вмещающих пород, с установлением ее оптимальных параметров в зависимости от горнотехнических условий разработки; разработка прогрессивных технологических решений по способам и средствам анкерного крепления выемочных выработок для сложных условий эксплуатации; создание и внедрение прогрессивной технологии в подготовительных выработках в сложных горно-технологических условиях эксплуатации; обоснование параметров анкерного крепления в условиях разработки пластовых месторождений полезных ископаемых при наличии осложняющих факторов. Технологические разработки прошли промышленную проверку на шахтах „Саранская“, „Им. Куземабаева“, „Им. Костенко“, „Казахстанская“ УД АО „АрселорМиттал Темиртау“, при их испытании подтверждена работоспособность методов и способов крепления. Основные выводы и рекомендации, полученные в работе, использованы в практике проектирования и разработки месторождений угледобывающей отрасли, в учебном процессе.

Ключевые слова: *технология ведения подземных работ, вуглепородний масив, контури горних виробок, параметри кріплення, дефектності виробок, управління геомеханічними процесами, системи, засоби, способи кріплення, напружено-деформоване состояние*

Рекомендовано до публікації докт. техн. наук Ф.К. Нізаметдіновим. Дата надходження рукопису 30.09.14.